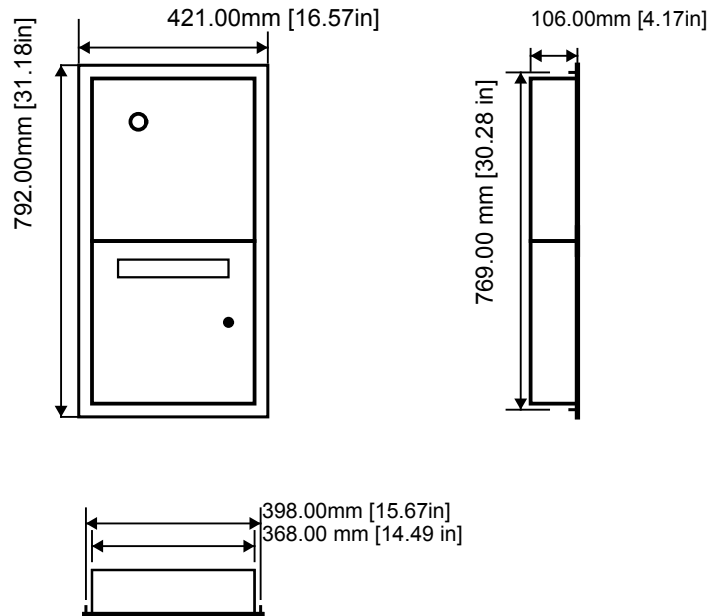


Representation of the outer dimensions (See the details in visualization)



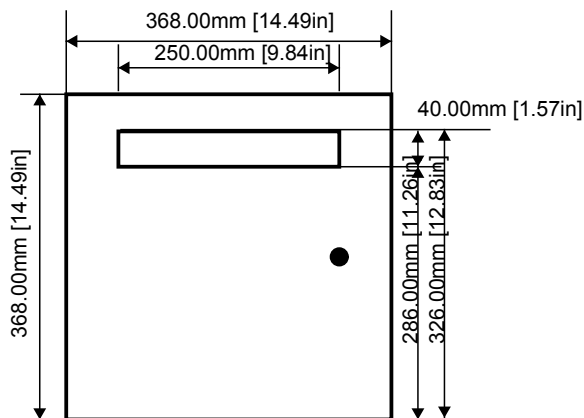
Installation Dimensions (W x H x D) = 398.00 mm [15.67in] x 769.00 mm [30.28in] x 106.00 mm [4.17in]

### Technical data:

1 x Nameplate configuration DBI-62751040  
1 x flush-mounted letterbox with covers  
Letterbox flap without nameplate. Flush with front panel.

Stainless steel V4A (salt-water resistant), brushed

This system is an individual production according to customer specifications. The legal right of withdrawal therefore does not exist according to § 312 g Abs. 2 Nr. 1 BGB. Since the automated production process is started immediately after receipt of the order, a cancellation, a return or exchange after placing the order is not possible.



Date: 2024-12-12  
Time: 17:25:37 CET  
Project ID: DBL-79529886



Bird Home Automation GmbH  
Uhlandstraße 165  
D-10719 Berlin, Germany  
Confidential