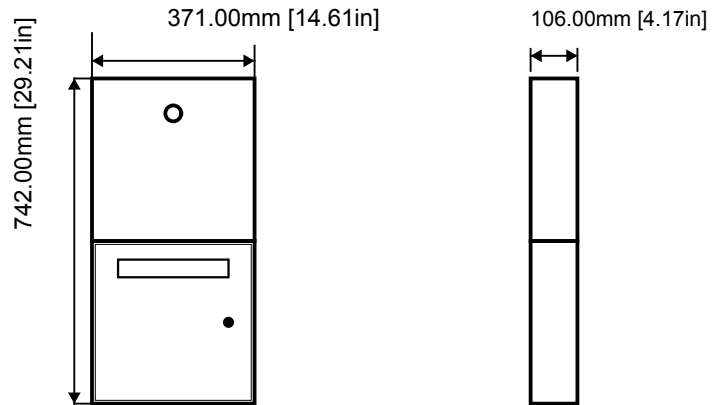


Representation of the outer dimensions (See the details in visualization)



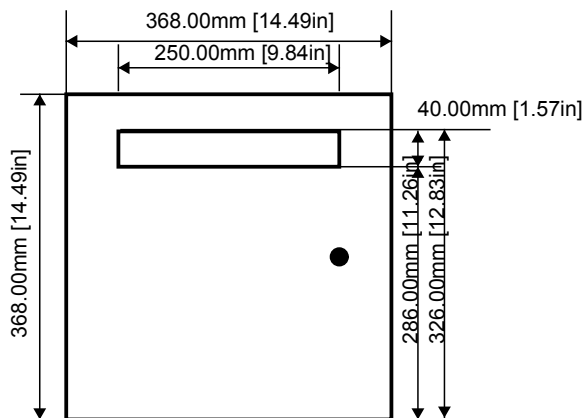
This configuration weighs around 17 KG.

### Technical data:

1 x Nameplate configuration DBI-40468117  
1 x surface-mounted letterbox with covers  
Letterbox flap with nameplate, white, for self-labeling, not illuminated. Flush with front panel.

Stainless steel V4A (salt-water resistant), brushed

This system is an individual production according to customer specifications. The legal right of withdrawal therefore does not exist according to § 312 g Abs. 2 Nr. 1 BGB. Since the automated production process is started immediately after receipt of the order, a cancellation, a return or exchange after placing the order is not possible.



Date: 2026-07-03  
Time: 00:42:41 CET  
Project ID: DBL-67051696



Bird Home Automation GmbH  
Uhlandstraße 165  
D-10719 Berlin, Germany  
Confidential